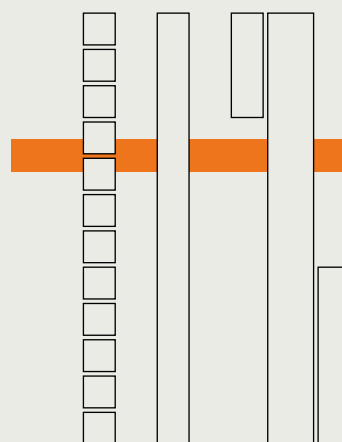
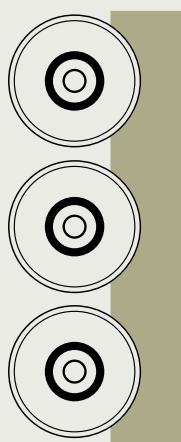
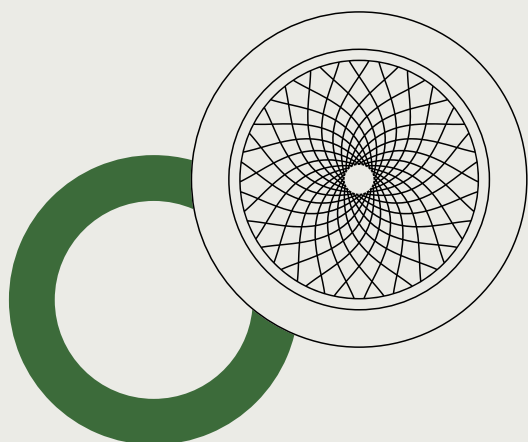


# Targetti Collection

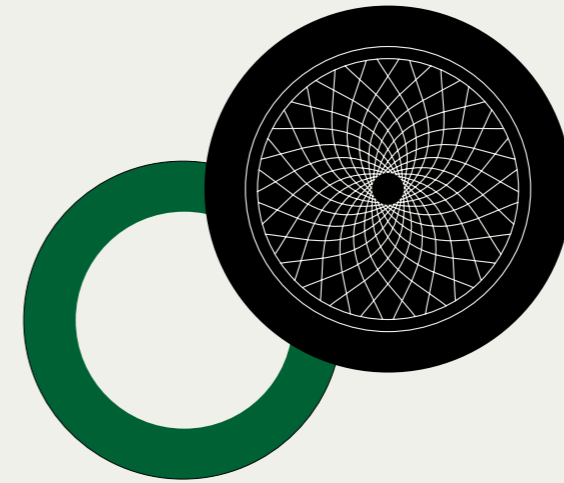


LIGHTING UPDATES  
MARCH 2026

# Targetti Collection

TARGETTI

# KepleroQuantum



Quantum represents the smallest unit of light energy. With the same philosophy, Keplero**Quantum** concentrates ultra-precise light control into remarkably compact sizes.

**Join the Quantum leap.**

# Versatile and

Designed to adapt to any space



The new Keplero Quantum luminaires inherit all the reliability and versatility that have made the Keplero in-ground range an icon of the Targetti collection. The different optical configurations are integrated into a robust, corrosion-resistant housing, fully sealed and with external beam adjustment.

# extraordinary



Ø130mm



Ø90mm



Ø60mm

Outstanding performance, a completely renewed and extensive optical range, and four exclusive finishes. All enclosed in three compact sizes, with multiple installation options, state-of-the-art performance, and refined design: a true quantum leap!

# Small yet

Reduced dimensions, maximum integration



# powerful

Its compactness allows use even in complex contexts or limited spaces, offering wide design freedom and a clean, orderly result consistent with the project vision.

The reduced size delivers high performance: efficiency, optical precision, and light quality merge in a surprisingly small luminaire capable of remarkable output.

A discreet, minimal lighting body integrates naturally into spaces, preserving their aesthetics and allowing the light lead the scene.





# Durable and


Quality engineered to last over time,  
ensuring total reliability without intervention



# waterproof

Keplero Quantum stands for robustness and absolute reliability: each luminaire is factory-sealed and feature the "Waterblock Plus" technical solution to guarantee impeccable long-term performance, without ever requiring access to internal components, not even during installation or aiming.

# Landscape

A row of trees illuminated at night, with a stone wall and a body of water in the background. The trees are lit from below, creating a warm glow. The stone wall is also lit from below, and the water reflects the lights. The scene is set at night, with a dark sky and some distant lights visible in the background.

A harmonious lighting design integrated into the landscape enhances green spaces and ensures their safe use even during evening hours. Light creates welcoming atmospheres, transforming public spaces into places for meeting, passage, and social interaction, while enhancing shrubs and vegetation through the natural interplay of light and shadow.

# Residential

Carefully designed lighting makes the home warm and inviting, enhancing entrances, access points, terraces, and gardens. When properly illuminated, outdoor spaces become a natural extension of the home, improving usability and creating a pleasant atmosphere, while also ensuring greater safety both inside the house and in the garden.

# Accent lighting



Accent lighting makes it possible to interpret and define a space through precise and efficient interventions: natural elements, works of art, and architectural features are enhanced through targeted light distribution and carefully calibrated luminance contrasts.

# Hospitality



Creating the best experience for guests means offering a welcoming and comfortable atmosphere. Keplero Quantum enhances outdoor environments with lighting solutions designed to create depth, harmony, and a striking visual effect, both for those observing from indoors and for those experiencing the outdoor space.

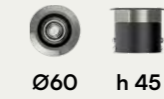
KepleroQuantum 130



KepleroQuantum 90



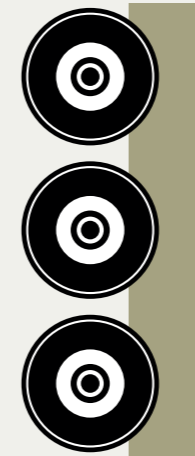
KepleroQuantum 60



	KepleroQuantum 130				KepleroQuantum 90				KepleroQuantum 60		
	STATIC WHITE	STATIC WHITE + COMFORT	STATIC WHITE + OVAL	RGBW White 3000K	STATIC WHITE	STATIC WHITE + COMFORT	STATIC WHITE + OVAL	RGBW White 3000K	STATIC WHITE	STATIC WHITE + COMFORT	STATIC WHITE + OVAL
	<b>Zoom</b> up to <b>1.240lm</b> from 17° to 42° 13W										
	<b>Fix</b> up to <b>1.413lm</b> 15° / 24° / 33° / 48° 13W	<b>Fix</b> up to <b>947lm</b> 14° / 22° 13W	<b>Fix</b> up to <b>1462lm</b> 19°x62° / 31°x71° 13W	<b>Fix</b> up to <b>418 lm</b> 30° * 10W <small>* other optics available on request</small>	<b>Fix</b> up to <b>1.109lm</b> 15° / 24° / 34° / 57° 10W	<b>Fix</b> up to <b>801lm</b> 13° / 28° 10W	<b>Fix</b> up to <b>957lm</b> 15°x60° / 31°x69° 10W		<b>Fix</b> up to <b>419lm</b> 7° / 17° / 34° / 50° 2,3W / 4,7W	<b>Fix</b> up to <b>319lm</b> 16° / 30° 4,7W	<b>Fix</b> up to <b>396lm</b> 17°x60° / 32°x68° / 21°x106° 4,7W
	<b>Adjustable</b> up to <b>1.413lm</b> 10° / 15° / 24° / 33° 10W / 13W	<b>Adjustable</b> up to <b>947lm</b> 10° / 14° / 22° 10W / 13W		<b>Adjustable</b> up to <b>418 lm</b> 30° 10W	<b>Adjustable</b> up to <b>1.109lm</b> 9° / 15° / 24° / 34° 5W / 10W	<b>Adjustable</b> up to <b>801lm</b> 9° / 13° / 28° 5W / 10W					
	<b>Wall Washer</b> up to <b>1.150lm</b> 24°x117° 13W			<b>Wall Washer</b> up to <b>385 lm</b> 30°x120° 11W	<b>Wall Washer</b> up to <b>765lm</b> 24°x110° 9,8W				<b>Wall Washer</b> up to <b>70lm</b> 34°x59° 4,7W		
	<b>Opal</b> up to <b>370lm</b> diffusing 5W			<b>Opal</b> up to <b>150 lm</b> diffusing 3W	<b>Opal</b> up to <b>187lm</b> diffusing 2,3W		<b>Opal</b> up to <b>130 lm</b> diffusing 3W		<b>Opal</b> up to <b>160lm</b> diffusing 1,6W		

Figures refer to 3000K 24V versions  
For all other versions and updated data, please visit [www.targetti.com](http://www.targetti.com)  
RGBW: preliminary data

# JediNova



Like a nova star, Jedi**Nova** illuminates architectural space with intensity and precision. Reliability, quality, and innovation in a complete range of linear projectors for surface and recessed installation.

**A new star is born.**



# Controlled

An innovative legacy

# power

Jedi Nova is the family of surface-mounted and recessed linear projectors, ideal for architectural lighting. In continuity with the Jedi and Jedi Compact ranges, it offers outstanding reliability and distinctive quality, while introducing significant innovations in technology and performance.

A complete range in terms of dimensions, finishes, and application possibilities, characterized by a wide variety of lighting effects.



TARGETTI

# Surprisingly

To adapt to any space and project

# compact



scale 1:1



Jedi Nova surface projectors are available in two distinct housing configurations, carefully engineered to meet diverse design and installation requirements. Alongside the classic compact version with rear driver box, a solution with integrated side driver box is also available, offering greater flexibility in architectural applications. The range is completed by in-ground recessed versions, ensuring design continuity across different installation needs.

# Complete versatility

Prepared for every scenario



In the surface-mounted projector versions, Jedi Nova is offered in three sophisticated finishes designed to integrate seamlessly into any architectural context: Anodized Black, Burnished Copper, and the exclusive Florentine White finish, ideal for enhancing and respecting the character of historic building façades. The recessed versions are available exclusively in the refined Black Anodized finish, ensuring a clean and elegant visual presence.



# Designing with light

Precise, controlled, and diversified lighting effects

Jedi Nova integrates differentiated optical systems, specifically developed for various application types. The availability of numerous light distributions ensures high design flexibility, effectively meeting even the most complex project requirements.

## WALL GRAZING

Ideal for grazing lighting and enhancing the texture of any surface. Jedi Nova offers five different Wall Grazing light distributions, with precise and differentiated geometries.

## OPAL

The Opal optical system delivers soft and wide illumination. The diffusing screen completely conceals the light source from view.

Lens optic

Linear hybrid optic

Cellular optic

Linear hybrid optic - asymmetric

Opal screen

## FLOOD

Flood versions are available in three different distributions, delivering a soft lighting effect with wide yet controlled emission. The perfect solution for projected illumination of specific elements.

## WALL WASHER

The hybrid Wall Washer optical system provides uniform and homogeneous lighting for large vertical and horizontal surfaces.



Lens optic + honeycomb grid



Lens optic + linear louver



Linear Hybrid optic + linear louver



Linear hybrid optic + linear louver - asymmetric

# Visual comfort

Integrated glare control for refined, balanced illumination

For maximum glare control, Wall Grazing, Flood, and Wall Washer distributions are available with integrated either a linear louver or an honeycomb system.

# Color and light

Light becomes emotion, identity, and experience

Vibrant color meets pure white to shape atmosphere, enhance architecture, and bring outdoor spaces to life. From subtle accents to immersive scenes, Jedi Nova RGBW versions transforms every spaces into unique experiences.

The Quadri-chip LEDs the fixtures are equipped with allow achieving a perfect colour mixing in each individual chip for a uniform and homogeneous result of the highest quality.

JediNova

# Façade

Façade lighting performs a function complementary to architecture, becoming a tool for interpretation and enhancement. By interacting with material textures, it defines visual hierarchies and creates evocative scenes that remain invisible in daylight.



# Grazing lighting



Grazing light emphasizes the three-dimensionality of architectural elements, restoring depth, rhythm, and identity to every vertical surface.

# Wall Washer

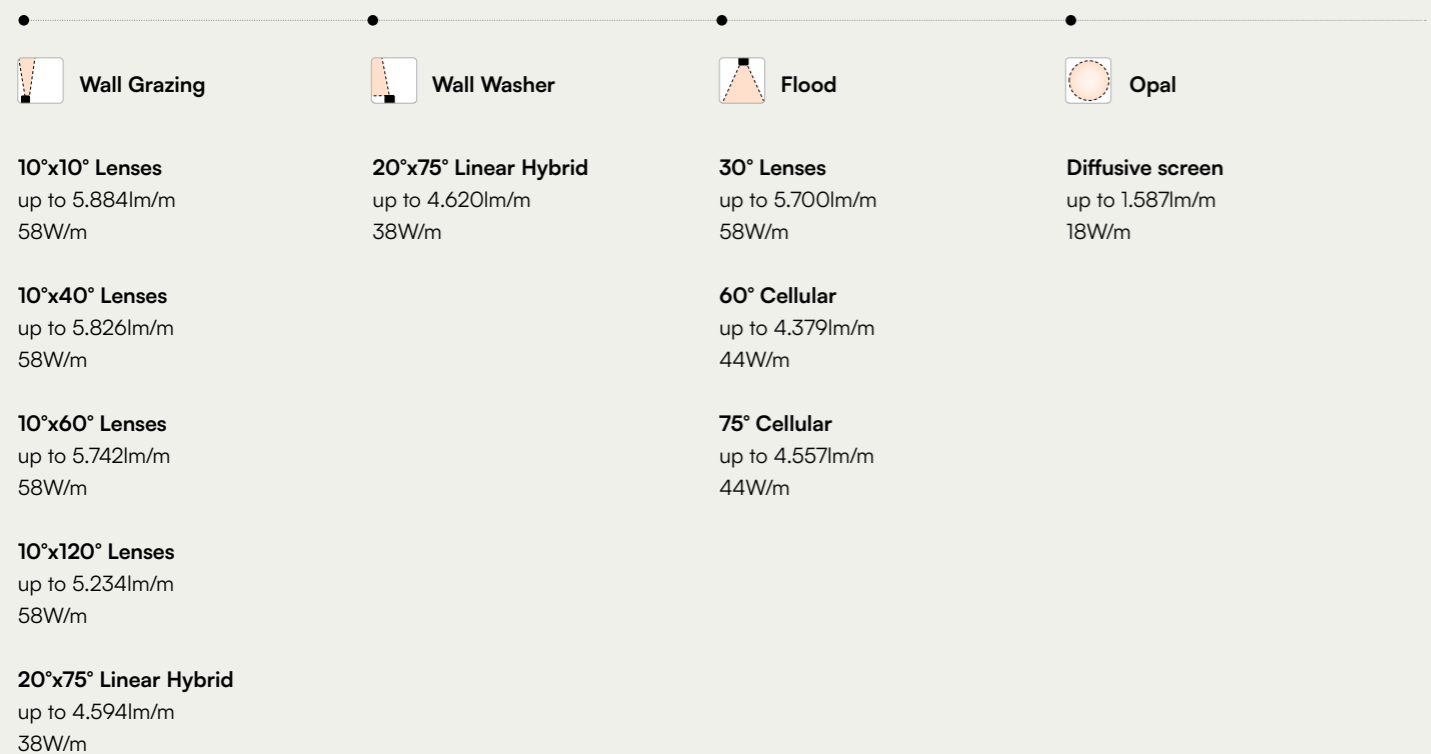
Jedi Nova luminaires with wall washer optics create seamless, uniform illumination across vertical and horizontal surfaces. The result is a refined architectural statement that enhances large walls with clarity, depth, and contemporary elegance.

# Residential



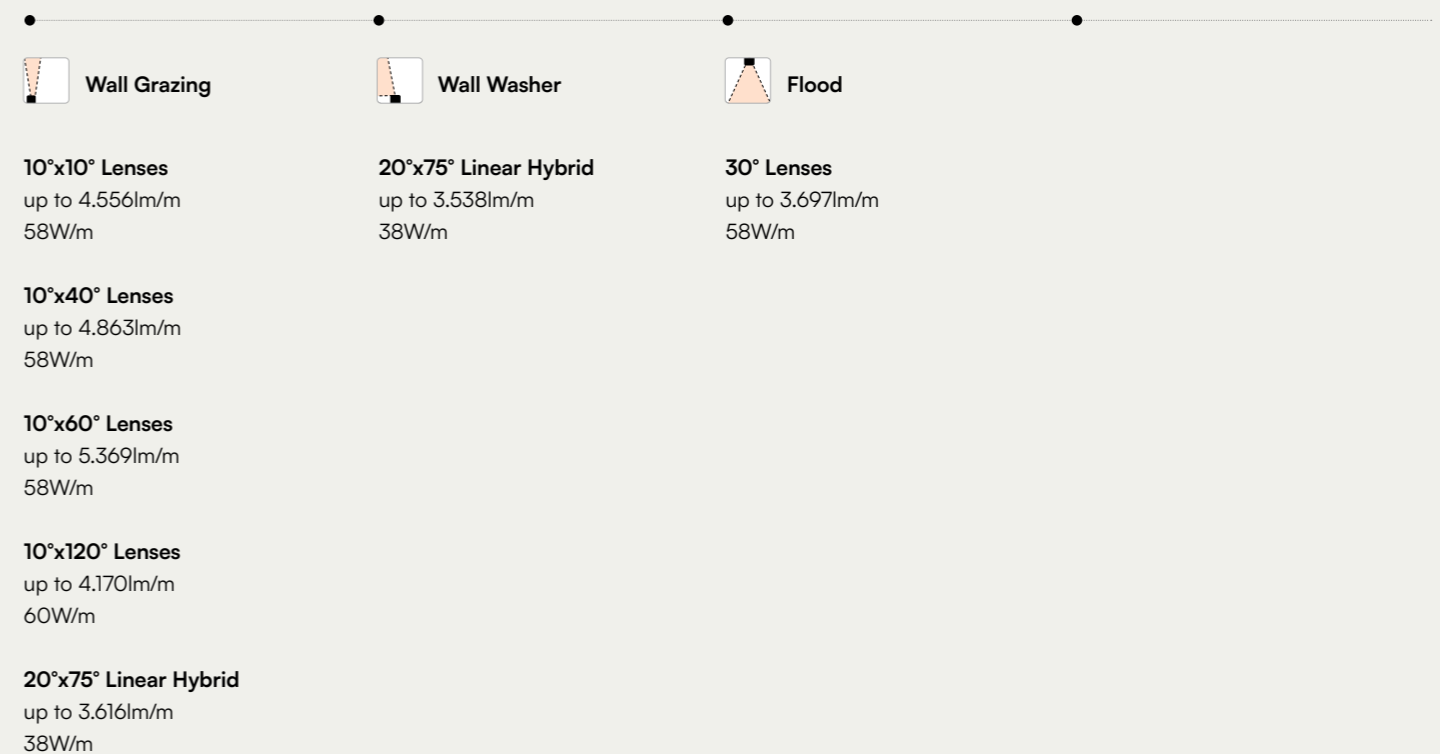
Jedi Nova enhances gardens with elegant, atmospheric lighting and offers durable drive-over solutions for garage entrances and pathways, combining safety, functionality, and design.

STATIC WHITE 2200K 2700K 3000K 4000K



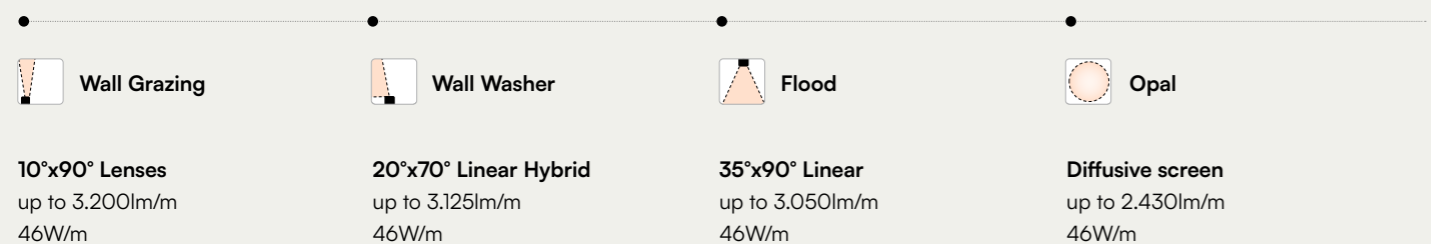
Figures refer to 3000K versions  
For all other versions and updated data, please visit [www.targetti.com](http://www.targetti.com)

STATIC WHITE + COMFORT 2200K 2700K 3000K 4000K



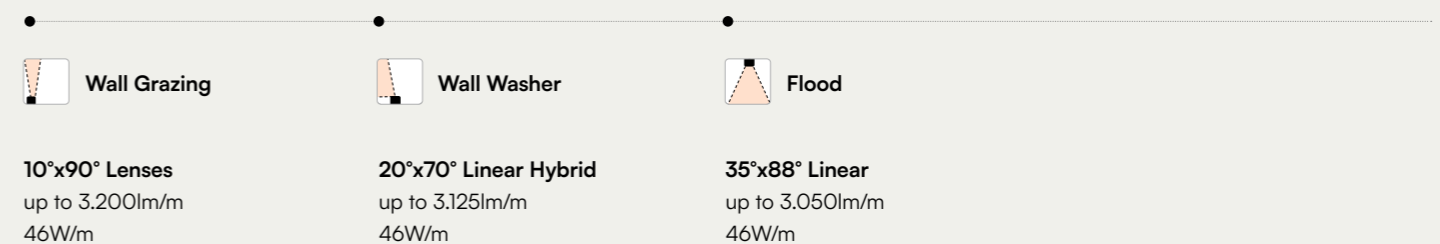
Figures refer to 3000K versions  
For all other versions and updated data, please visit [www.targetti.com](http://www.targetti.com)

RGBW RGBW: white 3000K



RGBW: preliminary data

RGBW + COMFORT RGBW: white 3000K



RGBW: preliminary data

# Anagram



An anagram transforms letters into ever-new words. Targetti **Anagram** combines elements into ever-changing configurations: not just light, but a modular ecosystem integrating lightwning, acoustic comfort, and intelligent functions into a single flexible structure.

**Flexibility beyond limits.**

# Flexibility

Redefining space through light,  
acoustics, and integrated technology

# -serving the project



Born from the collaboration with the Milan based architecture and design studio Park, Anagram is a multifunctional ceiling system that reinterprets space in a new way. It is not just lighting: it combines performance, precision, and compositional freedom, opening infinite possibilities to transform environments. Sound-absorbing panels, acoustic diffusers, sensors, and speakers coexist within a single harmonious structure, offering designers a flexible and transversal tool.

The system develops in linear elements available in two sections:

- Anagram 46, with an extremely compact profile designed to accommodate lighting systems;
- Anagram 88, an elegant channel integrating a wide range of components and functions, for fully customizable configurations.



# Tailored atmospheres

Designed for every space

Conceived for hospitality spaces and work environments, Anagram offers unprecedented versatility. Perfect for executive offices, design studios, creative labs, conference rooms, and any environment where comfort and technology are to be enhanced. Thanks to its modularity, it is the ideal solution for lounge areas, informal spaces, and coworking environments.

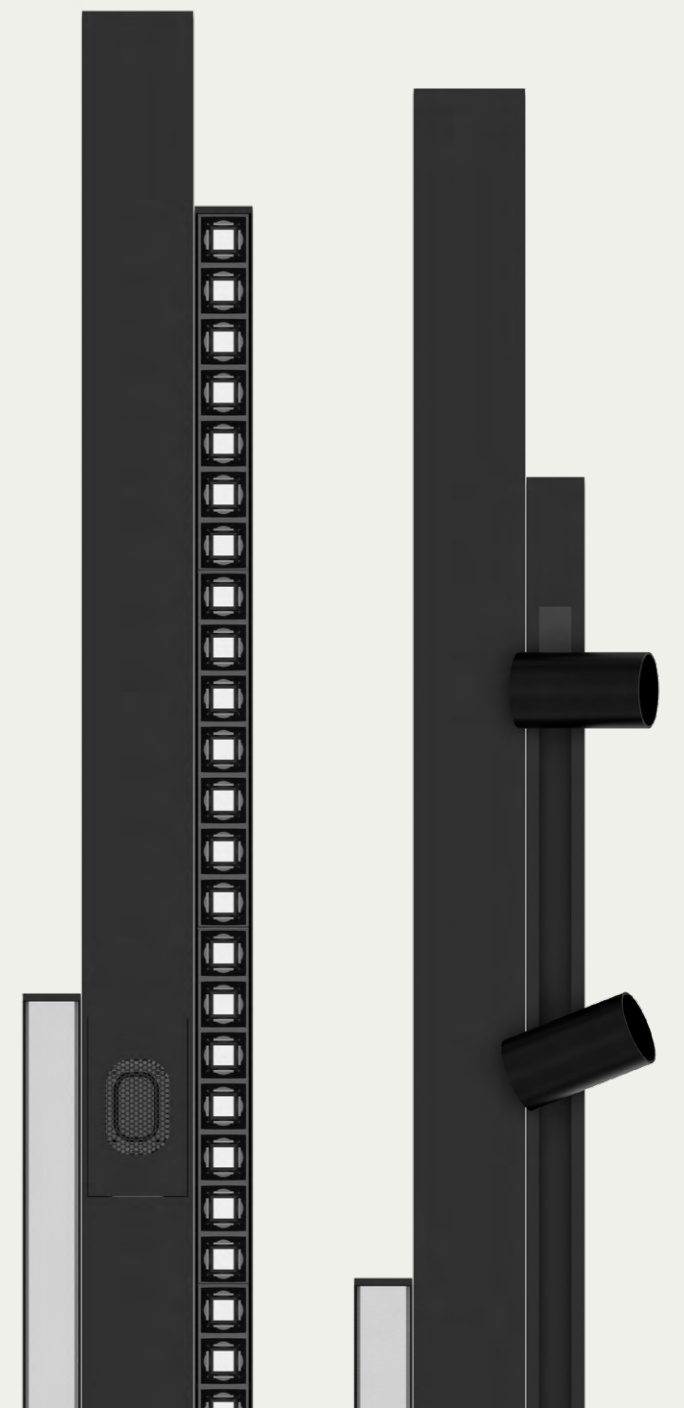
It also integrates harmoniously into open spaces or rooms with high ceilings, where it helps recreate welcoming, functional, and refined atmospheres. The five available finishes allow Anagram to be easily matched with different color and material palettes, enhancing any architectural context.

# Shaping

Transforming spaces into experiences

# environments

Anagram is a system that shapes space. Combined with elegant sound-absorbing panels, it can become a true architectural infrastructure, capable of replacing the ceiling, shaping open spaces, defining zones, and giving form to environments. It delivers light, sound, and acoustic comfort exactly where needed, with precision and harmony. Technology becomes space. Design becomes experience.



# Offices



Effective office lighting design blends natural light with layered ambient, task, and accent lighting. Anagram also enhances workplace comfort with integrated acoustic management, using sound-absorbing panels to reduce noise and create a focused, productive environment.



Anagram creates a brighter, more comfortable workspace that reduces eye strain, enhances focus, and supports employee wellbeing, delivering a smarter, more inspiring place to work.

# Contract

Lighting design for hospitality and contract projects combines functional, layered, and aesthetic illumination to create inviting, brand-aligned, and efficient spaces. Contract lighting goes beyond aesthetics, it's a strategic element that elevates the success of any professional interior design project.

## Anagram



Anagram seamlessly integrate ambient, task, and accent lighting while harmonizing with the space's color palette, thanks to five elegant finishes.

# Anagram

## System 46

RANGE

### Finishes



Plaster White



Deep Black



Mist Gray



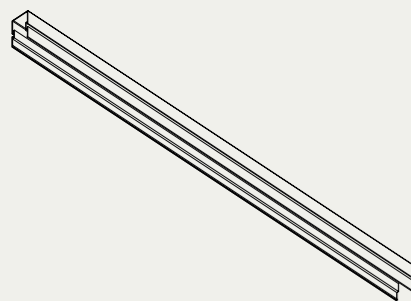
Satin Brass



Amber Brown

### STRUCTURE

#### Linear Profile



Section 46x70mm

Lengths 1120mm  
1680mm  
2240mm  
3360mm

#### Angular profile L



Section 46x72mm

Side 100mm

#### Light / Presence sensor

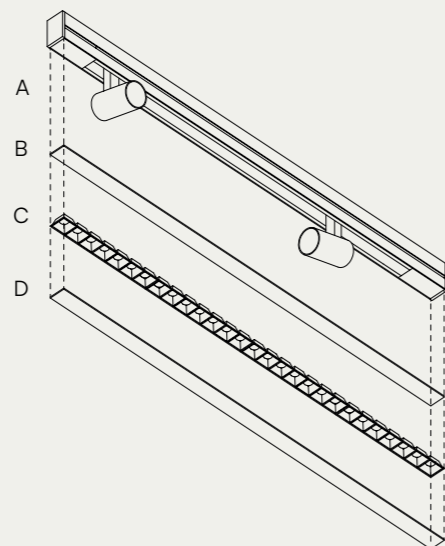


Section 46x78mm

Length 40mm

### MODULES

#### Lighting Modules



**A Integrated truck**  
Lengths 1680mm  
2240mm  
3360mm

**B Microprismatic**  
Lengths 1120mm  
1680mm  
2240mm

**C Cellular optic**  
Lengths 1120mm  
1680mm  
2240mm

**D Blind cover**  
Lengths 1120mm  
1680mm  
2240mm  
3360mm

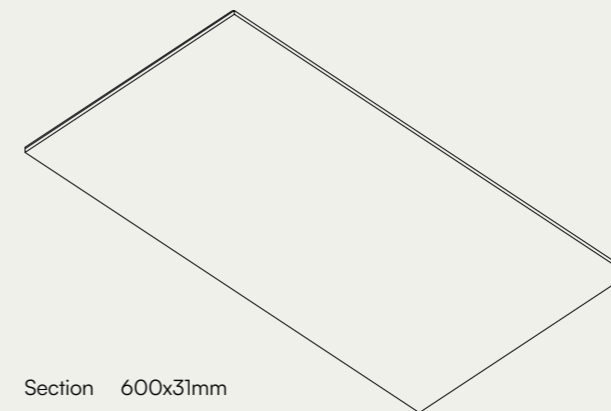
**Indirect emission**  
LEDstrip Roll  
Length 5000mm

3000K  4000K

Ra80  
Ra90

### MODULES

#### Acoustic Panels

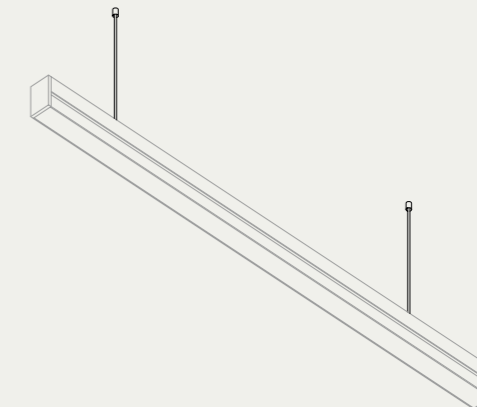


Section 600x31mm

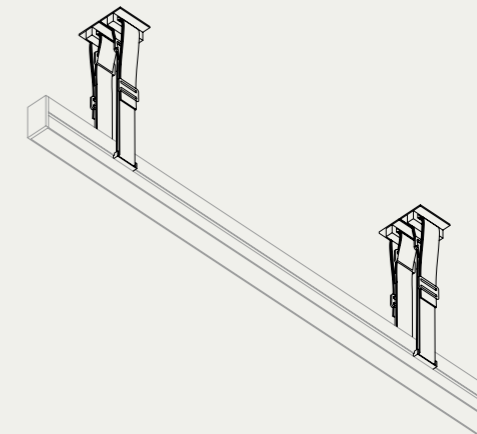
Lengths 1120mm  
1680mm  
2240mm

### MOUNTING ACCESORIES

#### Suspension Kit



#### Suspension Strap



**Ceiling Bracket**  
Size (LxHxP) 50x15x44mm



Anagram  
configurator



System 88

Finishes



Plaster White



Deep Black



Mist Gray



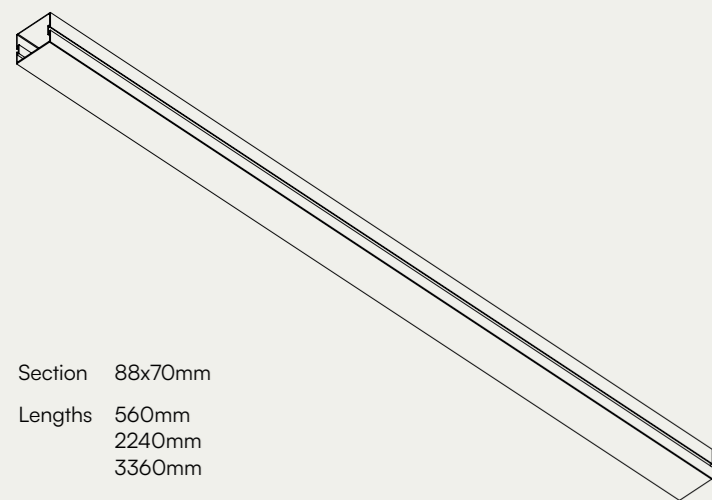
Satin Brass



Amber Brown

STRUCTURE

Linear Profile



Section 88x70mm

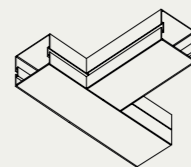
Lengths 560mm  
2240mm  
3360mm

Curve Profile



664x664mm

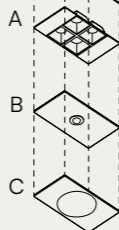
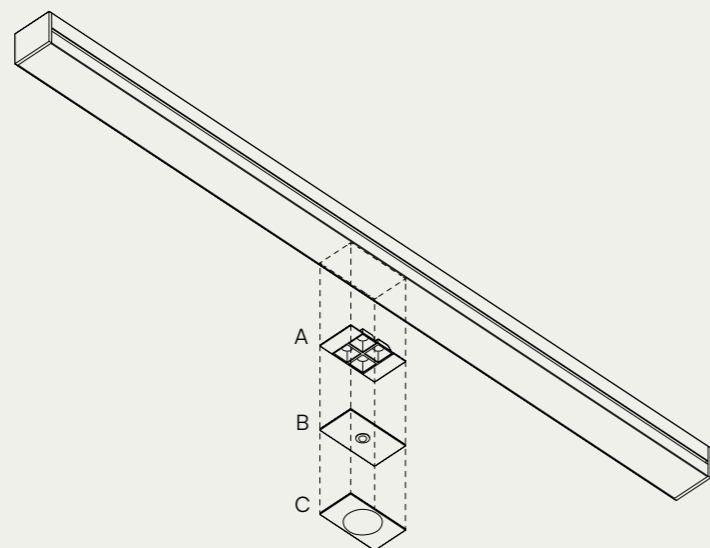
T Connection Joint



Internal mechanical joint

MODULES

Modules



- A Downlight  
Downlight - Emergency
- B Light / Presence Sensor
- C Speaker

80x140mm

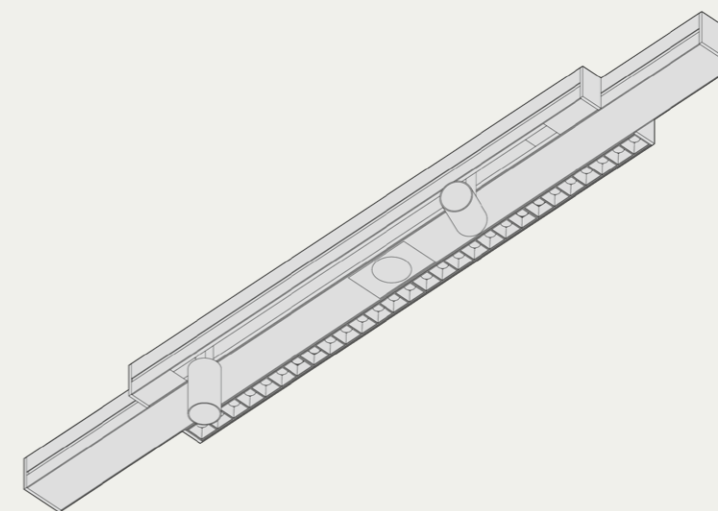
Blind Modules

- Lengths 140mm
- 280mm
- 560mm
- 980mm
- 1120mm

3000K 4000K

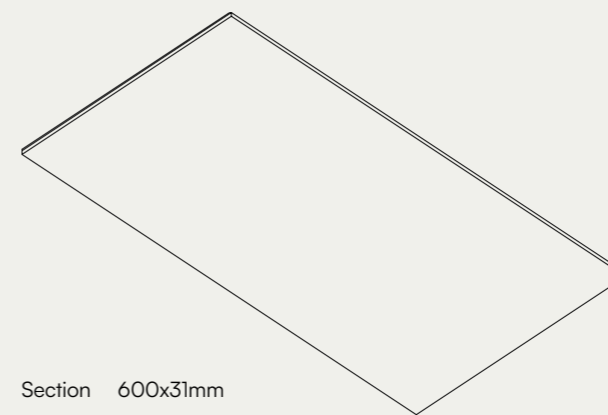
Modules

- Ra80
- Ra90



MODULES

Acoustic Panels

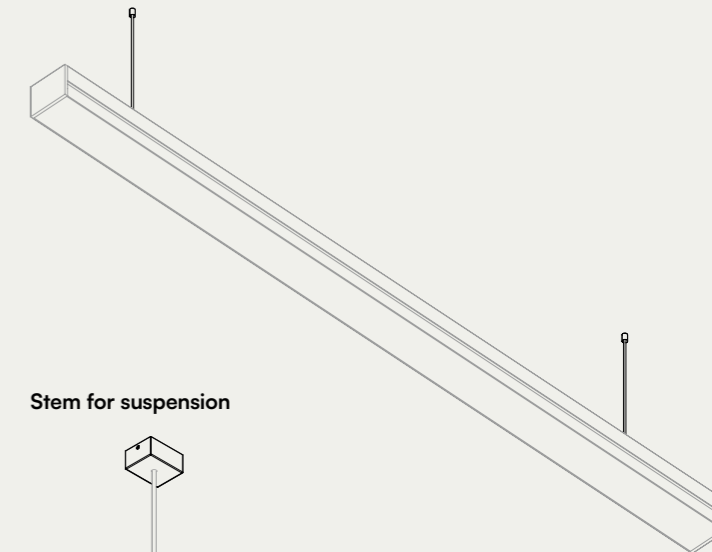


Section 600x31mm

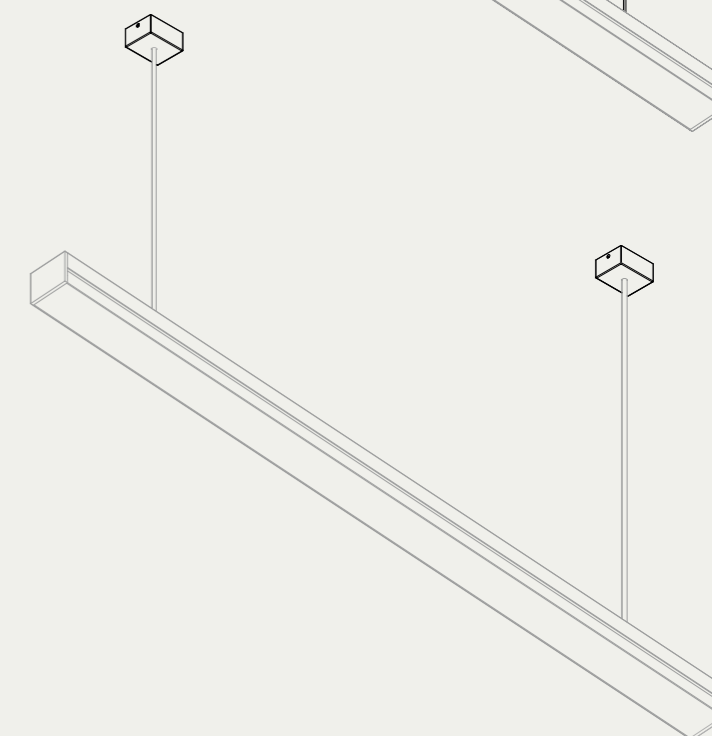
Lengths 1120mm  
1680mm  
2240mm

MOUNTING ACCESORIES

Suspension Kit

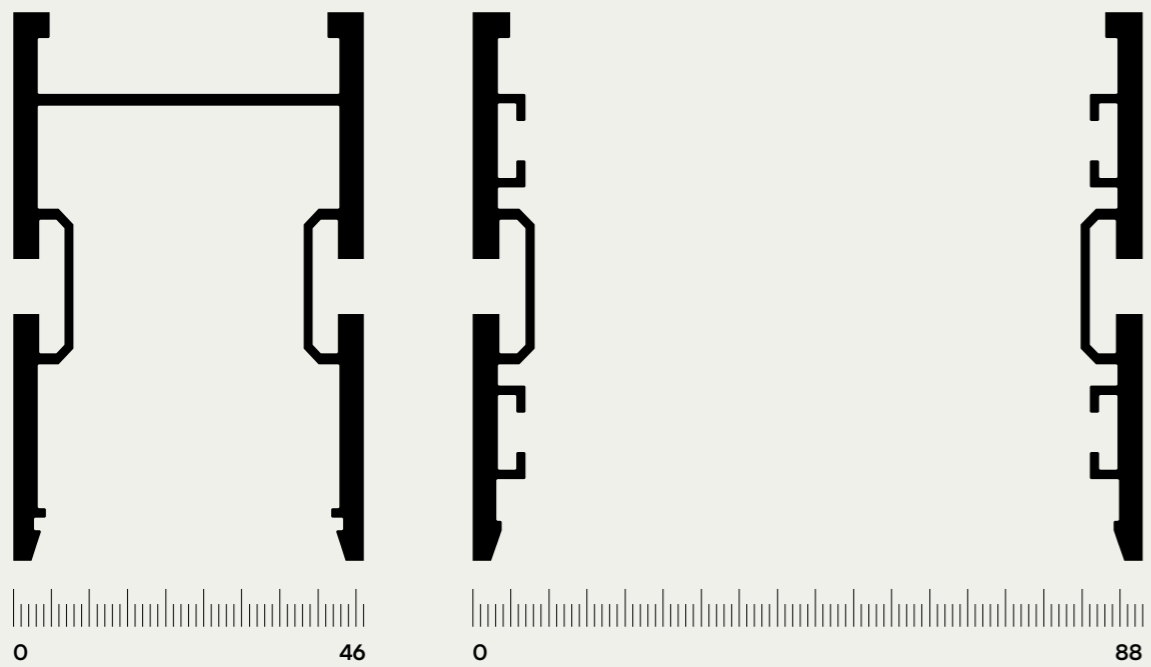
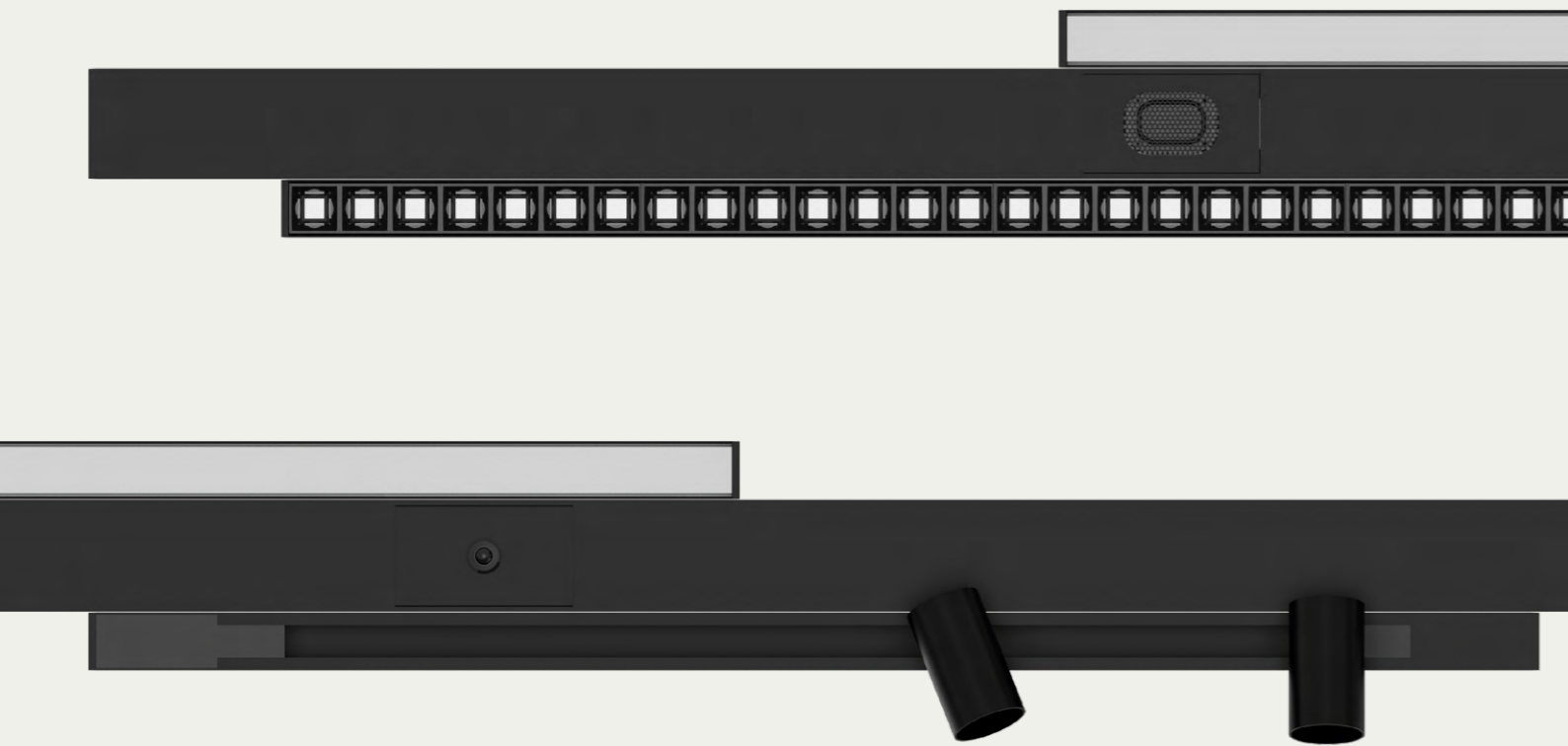


Stem for suspension



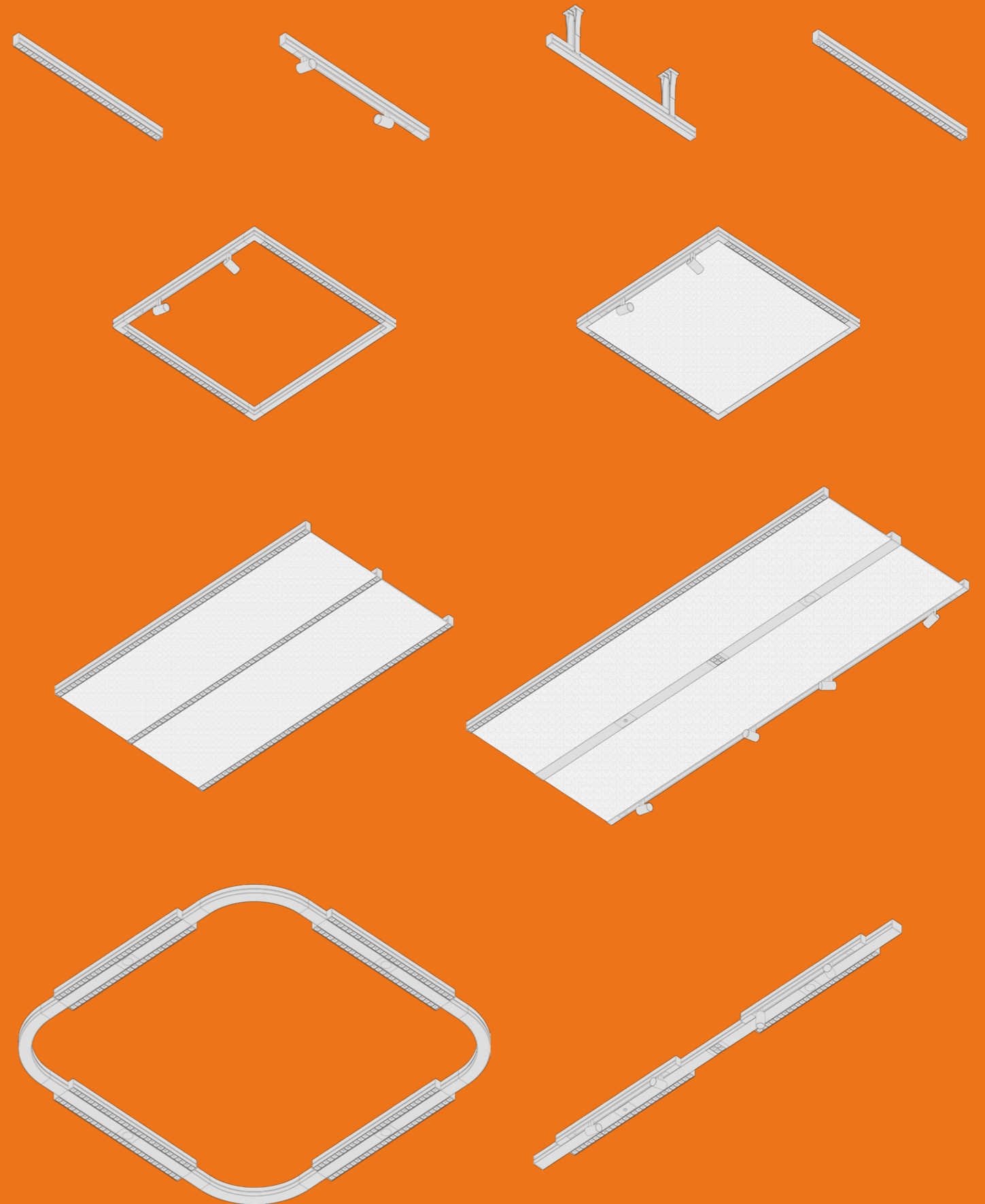
Anagram configurator

Anagram



72  
0  
scale 1:1  
dimensions in mm

COMPOSITIONS



**Targetti Sankey S.r.l.**

Via Pratese, 164  
50145 Florence, Italy

Phone +39 055 37911

[targetti@targetti.com](mailto:targetti@targetti.com)  
[www.targetti.com](http://www.targetti.com)

**Customer Care**  
[customer@targetti.com](mailto:customer@targetti.com)

**Customer Service**  
[technical@targetti.com](mailto:technical@targetti.com)

**Lighting Consulting**  
[project@targetti.com](mailto:project@targetti.com)



